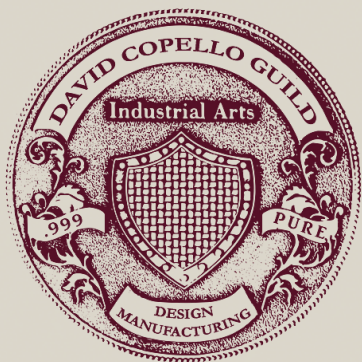
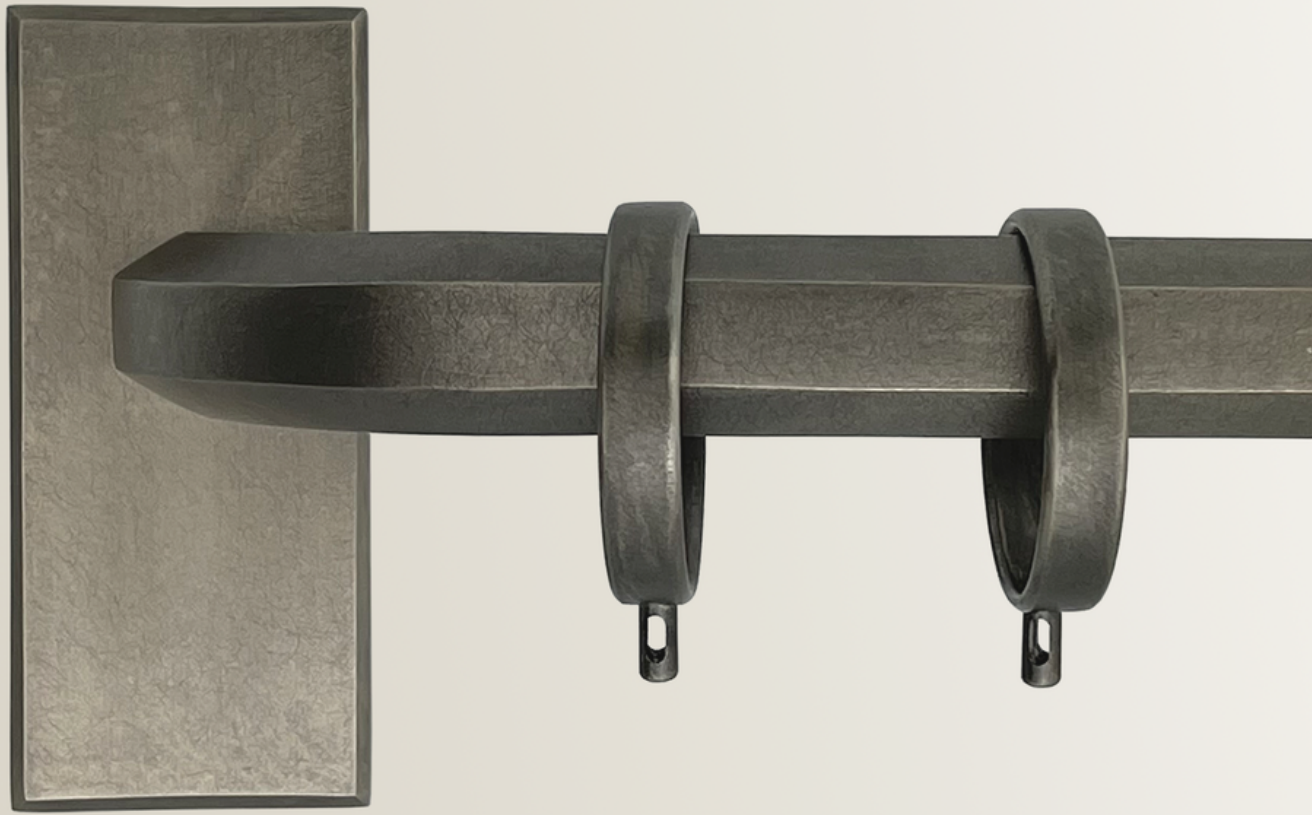


DAVID COPELLO GUILD

Esa Drapery Hardware





Esa Drapery Hardware

Description

The Esa Drapery Hardware features a hexagon rod with an elegant French return. Our unique mounting configuration uses a solid brass cover plate that hides all screws.

Finishes

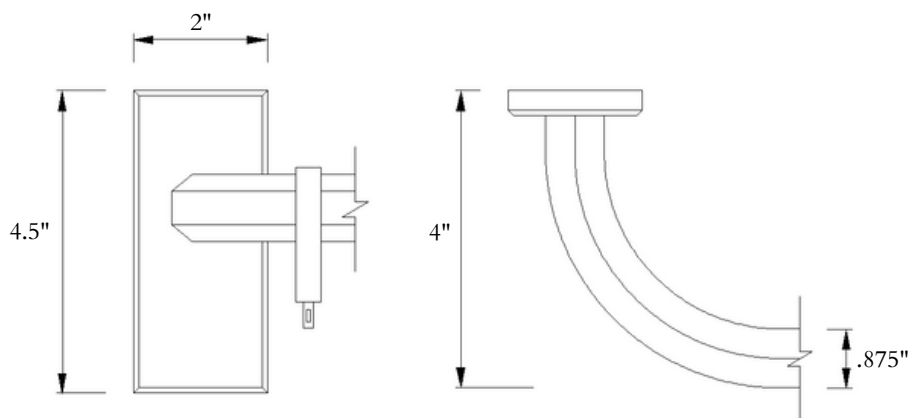
Shown in Antique Nickel. Available in all finishes.

Dimensions

2"W x 4.5"H x 4"D

Model

E-1001



All Dimensions Customizable Upon Request

