

DAVID COPELLO GUILD
Century Drapery Hardware





Century Drapery Hardware

Description

The Century Drapery Hardware features a round rod with an elegant French return. Our unique mounting configuration uses a solid brass cover plate that hides all screws.

Finishes

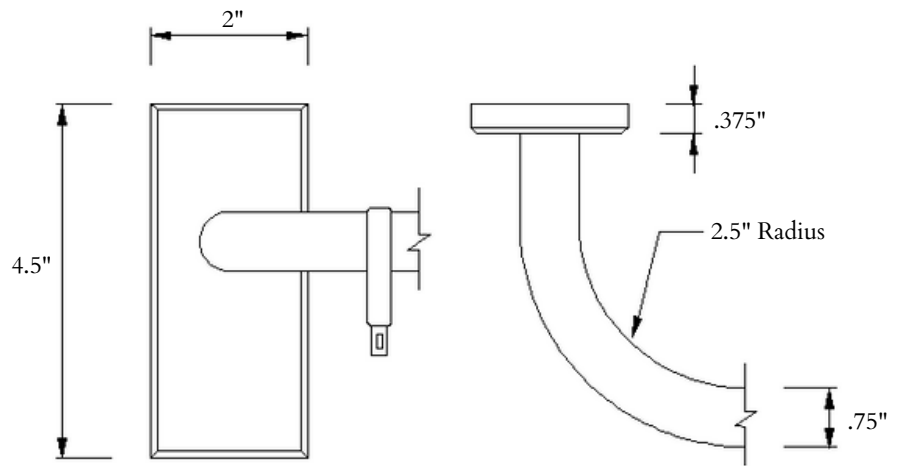
Shown in Natural Brass. Available in all finishes.

Dimensions

2"W x 4.5"H x 4.5"D

Model

C-1002



All Dimensions Customizable Upon Request

