

DAVID COPELLO GUILD

Belvedere Wall Sconce





Belvedere Wall Sconce

Description

The Belvedere product line combines solid brass construction with ivory candle sleeve covers, evoking a timeless charm. Adding a touch of modern to a traditional design, this elegant sconce can be used in a variety of settings.

Features

- Solid Brass Construction
- Ivory candle sleeve covers
- Dimmable led bulbs

Finishes

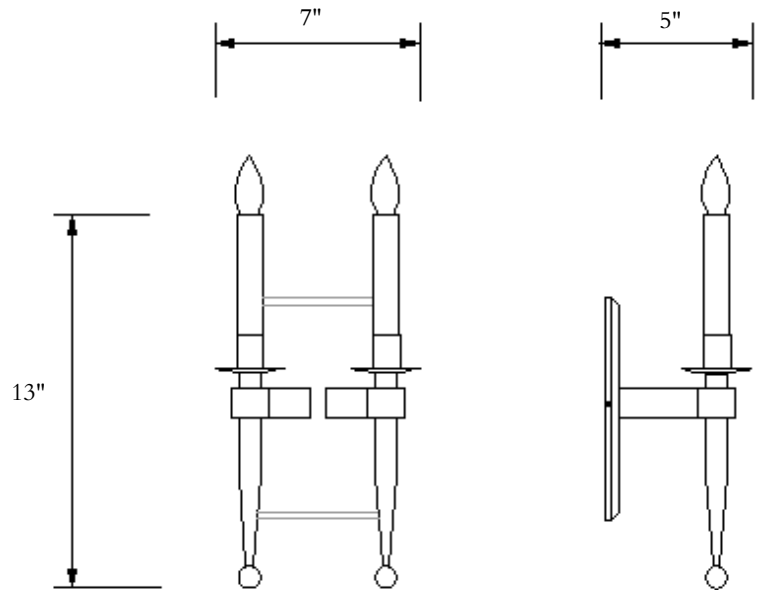
Shown in Black Bronze. Available in all finishes.

Dimensions

7"W x 5"D x 13"H

Model

BD-1000



All Dimensions Customizable Upon Request

